

M1437(A)

25kW X-Band Magnetron

M1437(A) is a fixed frequency pulsed type X-band magnetron, designed to operate in the frequency range of 9380 to 9440 MHz with a peak output power of 25 kW. It is waveguide output type and forced air cooled or natural air cooled.

It is recommended to use our TL393 or TL368A as adequate protector for this magnetron.

----- ELECTRICAL -----

	Min	Typical	Max	Unit
Heater Voltage(Preheat)	5.7	6.3	6.9	V
Heater Voltage(Operation)	-	3.7 ^(NOTE1)	-	V
Preheat time.....	120	-	-	S
Peak anode voltage	7.5	8.0	8.5	kV
Rate of rise of voltage pulse ...	-	70	100	kV/μs
Peak anode current	6.0	8.0	10.0	A
Mean anode current	6.0	8.0	10.0	mA
Peak anode input power	-	-	75	kW
Mean anode input power	-	-	85	W
Pulse duration (Detected R.F) ...	0.05	1.0	1.0	μs
Duty Cycle	-	-	0.001	-
V.S.W.R at the output coupler ...	-	1.15	1.5	-
Peak output power	22.5	25	-	kW
Frequency	9380	9410	9440	MHz

(NOTE1) Heater Voltage (Operation)=0.08(110-Pi)

Pi:Mean anode input power

----- MECHANICAL -----

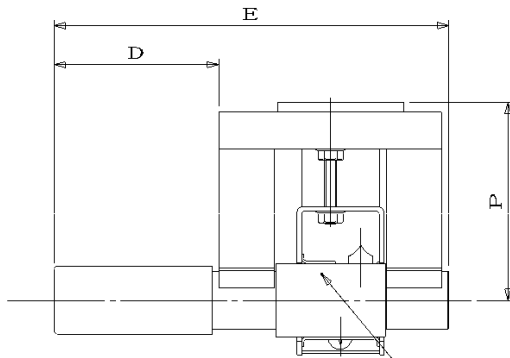
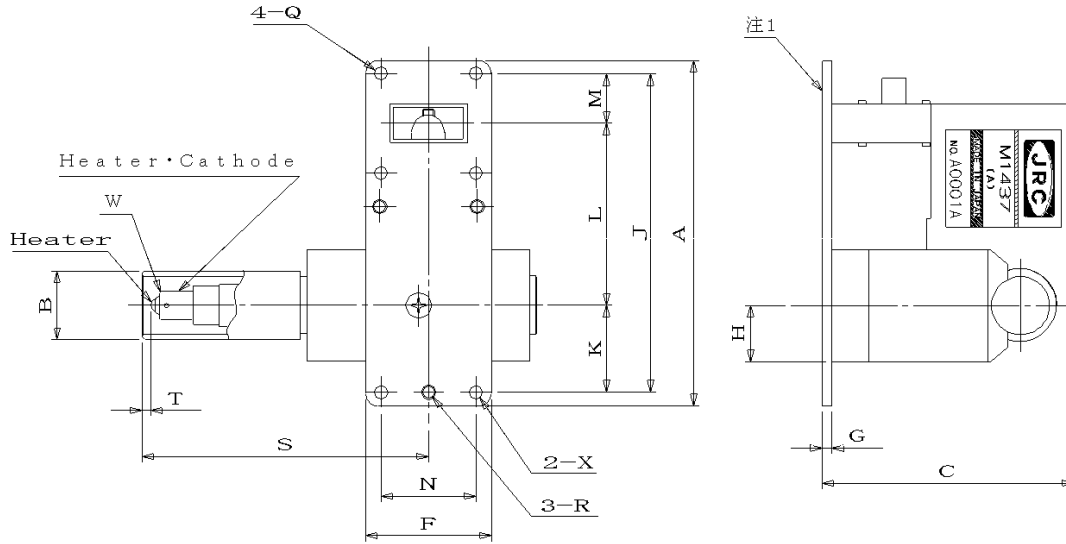
Overall dimensions	SEE outline
Net weight	1.6kg approx.
Output coupling	UG-40 B/U

New JRC could be available to customer's desire for frequency, lead and connector. For further information on it and the use of the magnetron please contact New JRC. New JRC reserves the right to change the specification of goods without notice.

M1437(A)

OUTLINE

Note: Dimensions are in mm



Anode temperature measured at this point.

	Min	Max
A	112.6	113.6
B	—	φ25.4
C	—	84.2
D	(52.5)	
E	—	137.0
F	(41.3)	
G	(3.2)	
H	(23.0)	
J	103.9	104.5
K	(28.3)	
L	(59.7)	
M	(20.6)	
N	30.7	31.3
P	(64.8)	
Q	φ4.15	φ4.45
R	#10-32NF-2B	
S	(90.0)	
T	—	6.4
W	BA9S/13	
X	φ4.25	φ4.55